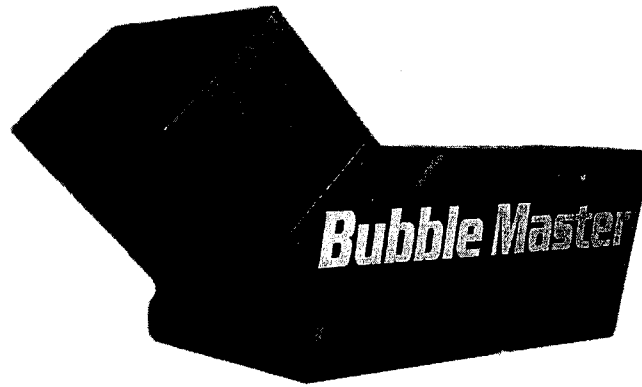


# **Bubble Master Operators Manual**



*Please Read Carefully Before Operating*

## Table of Contents

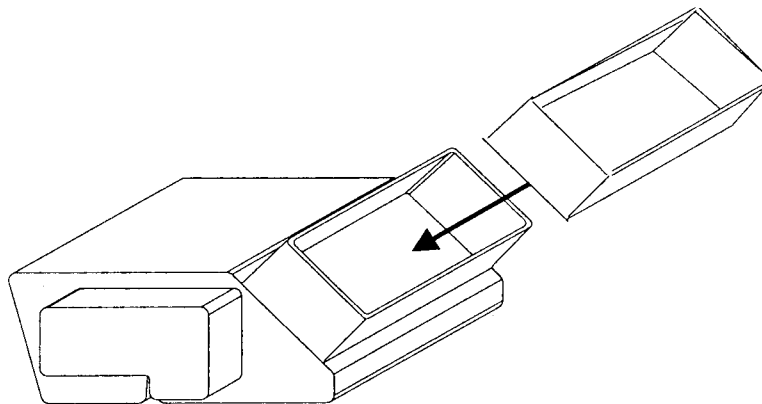
Page 1	Technical Specifications
Page 2	Warning
Page 3	Operating Procedure
Page 4	BubbleMaster Control Features
Page 5	Shut Down Procedure
Page 5	Trouble Shooting the BubbleMaster
Page 6	Maintenance
Page 6	Safety Precautions
Page 7	Warranty
Page 8	Accessories

## Operating Procedure

### Setup

Unpack the Bubble Master and inspect all components. Although the packaging was designed for the rigours of todays parcel delivery sevices, damage may have occurred during shipping.

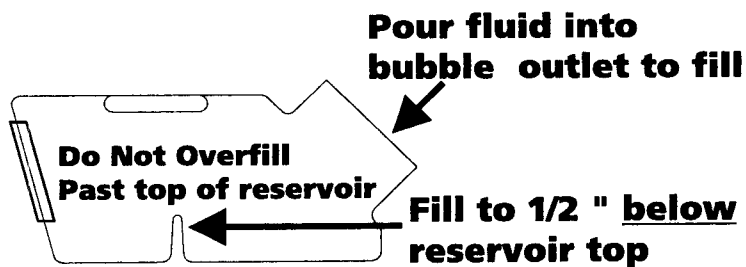
1.) Prior to operation, the extension sleeve may be placed over the bubble outlet. This will allow the bubbles to be projected higher, before they begin to disperse outwards. For lower flying bubbles do not use the extension sleeve.



2.) Place the Bubble Master on a level sturdy surface, or use the optional adjustable stand sold separately.

3.) Open a container of Le Maitre BubbleMaster Bubble Fluid, and pierce the foil top. Pour the fluid into the bubble outlet. Fill up to 1/2" below the resevoir top. This initially should take approximately 1 gallon.

4.) Plug the BubbleMaster into an outlet that is capable of sustaining the current load listed on the product serial plate.



## BubbleMaster Controls

1.) Plug the BubbleMaster into a suitable power supply.

2.) Use the Fan Speed Control knob to start the bubble wheel and fans, and to control the fan speed.

By varying the fan speed you can control the bubble volume, size and height.



**BubbleMaster Fan Speed Control**

## Recommended Fluid

# FG-420

**EVAPORATIVE BUBBLES**

**Directions :**

Ready to use. Place solution in machine. Turn on **BUBBLE MACHINE**. Adjust bubble size.

Keep out of reach of children.  
Harmful if swallowed.

# BUBBLE

M · A · S · T · E · R · S

Plantation, Florida 33324

**1-800-745-8599**

1 Gal.  5 Gal.  55 Gal.

[www.snowmasters.com](http://www.snowmasters.com)

## Maintenance

### Fluid Reservoir

When storing the Bubble Master for any extended period, be sure to thoroughly rinse the fluid reservoir.

### Bubble Wheels

When storing the Bubble Master for any extended period, be sure to thoroughly rinse bubble wheels.

## Safety Precautions

1. Ensure that operation of the machine is supervised by suitably trained and authorised personnel.
2. Do not modify the machine or use a machine which has been damaged in any way.
3. Allow sufficient air circulation around the machine at all times.
4. Protect the BubbleMaster from direct weather effects and wet locations.
5. Use only Le Maitre Special Effects Bubble Master bubble fluid.
6. Avoid direct bubble output continuously at persons, structure or objects within close proximity of the discharge nozzle.
- 7.) Do not allow any liquid to spill into or on the remote control or the cover behind the remote.

## Accessories

Model	Description
CLF 2944	DMX Interface
CLB 2005	Bubble Stand Mounting Plate
CLB 2007	Bubble Machine Stand
CLB 2004	Bubble Wall Mounting Plate
CALL	Bubble Machine Hanging Bracket
CLB 2004	Bubble Securing Bracket
CLB 2006	Bubble FDS Option
CLF 3100	20 L. Pail Hanging Bracket
CPH PC001	5 Pin DMX/Bubble Remote Cable 25'
CPH PC005	5 Pin DMX/Bubble Remote Cable 50'
CPH PC007	5 Pin DMX/Bubble Remote Cable 100'